

Frame 50

PENDANT



SPECIFICATION SHEET

Frame 50



Model 1546

Type

P Pendant

Size

26 26.0" [662mm]
 38 37.9" [963mm]
 50 49.7" [1262mm]
 Custom

Wattage ^{1,2}

Direct ³

26"
 LD 24W (3200lm)
 MD 48W (5945lm)
 38"
 LD 36W (4800lm)
 MD 72W (8915lm)
 50"
 LD 48W (6400lm)
 MD 96W (11888lm)

Direct ⁴

LI 24W (3200lm)
 MI 48W (5945lm)
 LI 36W (4800lm)
 MI 72W (8915lm)
 LI 48W (6400lm)
 MI 96W (11888lm)

XD – No Direct XI – No Indirect

Color Temp ⁵

30 3000
 35 3500
 40 4000

Voltage

U 120/277 Volt
 1 120 Volt (DFPN only – see section Control)

Driver

RD Remote
 ID Integral (in canopy)

Control - RD

S Non-dim
 D010 0-10V 10%
 DFPN Lutron Forward Phase 1% 120 Volt
 L3DAE Lutron Hi-lume 1% EcoSystem
 L3DOE Hi-lume Premier 0.1% EcoSystem
 X If integral driver is selected

Control – ID (in canopy - if selected)

S Non-dim
 D010 0-10V 10%
 X If remote driver is selected

Diffuser Bottom

SW Satin opal acrylic
 CB Aluminum – painted to match the fixture

Diffuser Top

SA Satin clear acrylic
 CT Aluminum – painted to match the fixture

Finish ⁶

16 Clear anodized aluminum
 21 Painted white - RAL 9010 matte
 26 Painted black - RAL 9005 matte
 22 Painted custom color

Mounting

SCRD Straight cables - remote driver
 SCID Straight cables - driver in canopy
 CERD Center canopy - remote driver
 CEID Center canopy - driver in canopy

Circuit

CS Circuit - Single
 CD Circuit - Dual

Power Cable ⁷

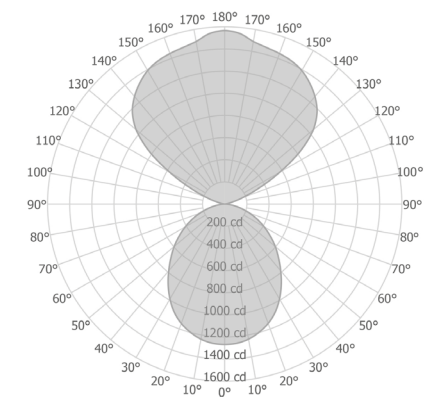
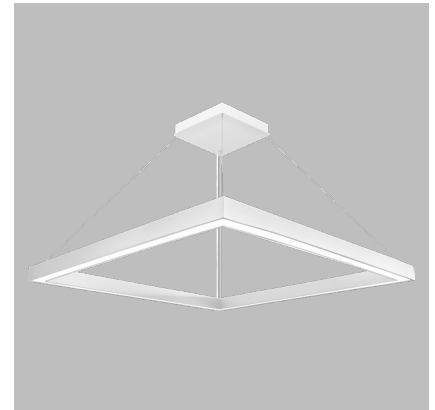
CC Clear insulated cable (standard)
 WC White cable
 BC Black cable

Notes

- 1 Nominal lumens value specified
- 2 Linear LED board, constant voltage 24 Volt
- 3 For no Direct light specify XD
- 4 For no Indirect light specify XI
- 5 90+ CRI standard
- 6 Canopy finish matches housing
 For Clear anodized aluminum finish,
 canopy finish will be painted
 anodized aluminum
- 7 96" standard cable length

Example fixture number:

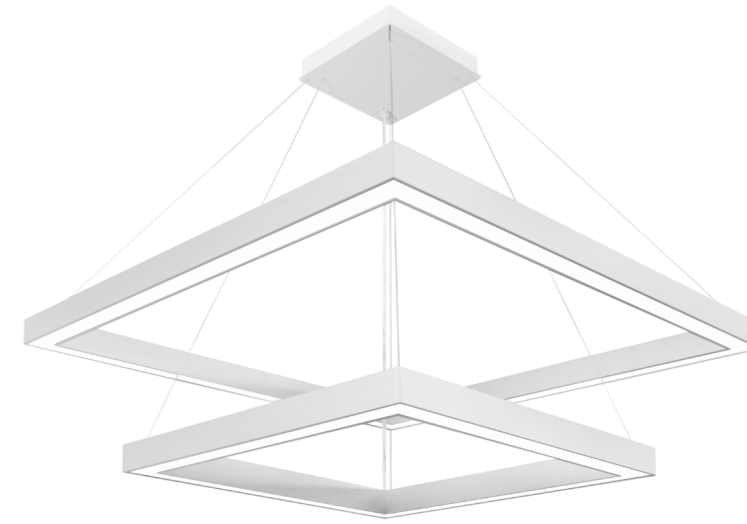
1546 – P – 38 – LD – LI – 30 – U – RD – S – X –
 SW – SA – 16 – SCR D – CS – CC



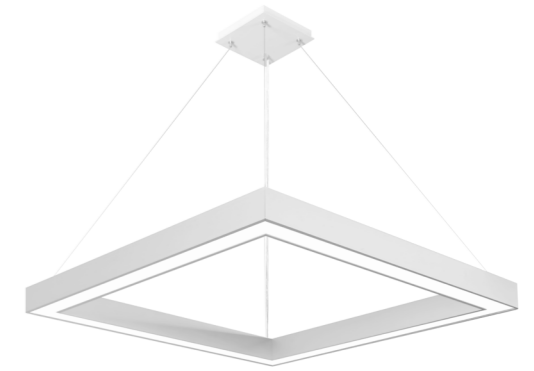
Frame 50

PENDANT

Frame 50 is available in pendant and surface options. The clean essential line of the fixture makes it suitable for use in any modern environment. This fixture is ideal for lighting office areas and conference spaces when used in multiple configurations. Frame 50 is an elegant and refined option for direct and indirect illumination of the space.



Multiple configurations – two or more fixtures



Size	
26	26.0" [662mm]
38	37.9" [963mm]
50	49.7" [1262mm]
Custom	



* 50mm x 50mm fixture body profile
* Straight cables or center canopy mounting options available

Frame 50

PENDANT



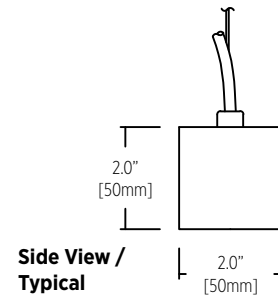
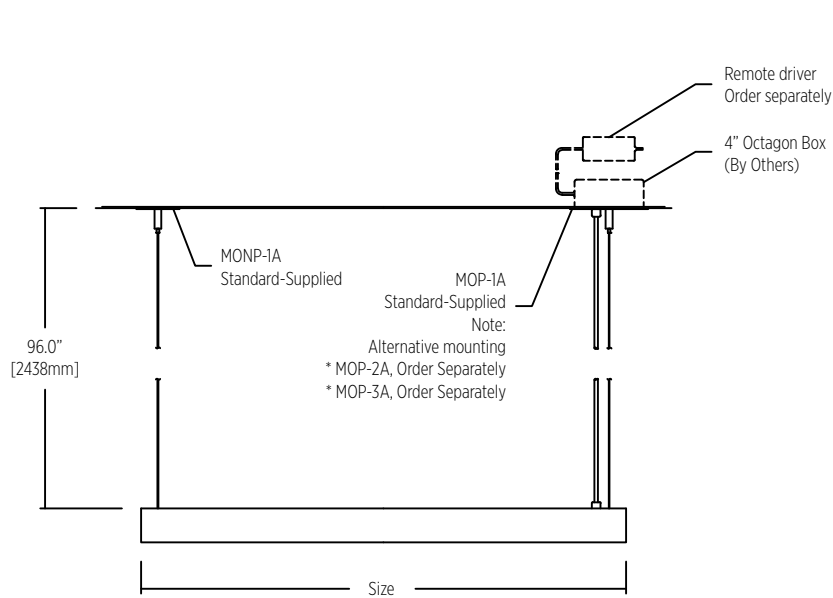
SPECIFICATION SHEET

Frame 50

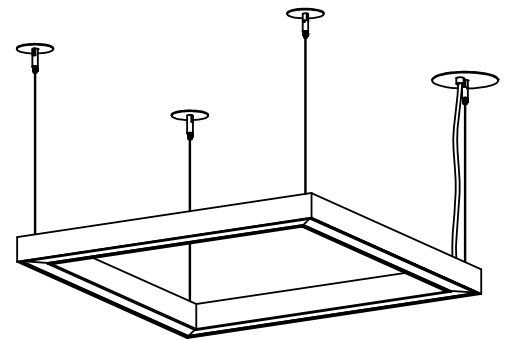


INSTALLATION TYPE

Straight cables with remote driver

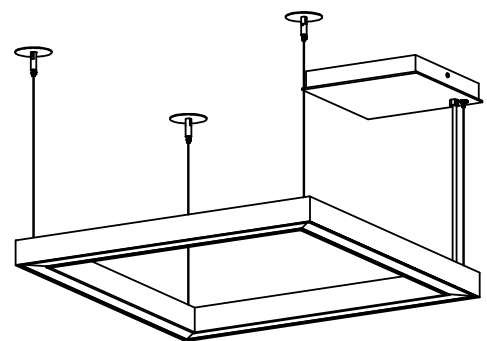
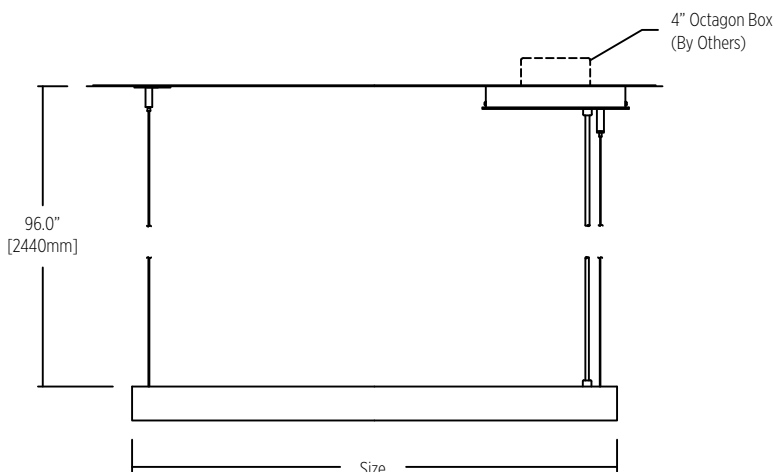


Side View / Typical



Note:
See page 3 & 4 for mounting options

Straight cables with surface mounted canopy with integral driver



Note:
Surface mounted canopy with integral driver - Order separately

Frame 50

PENDANT

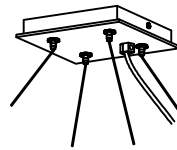
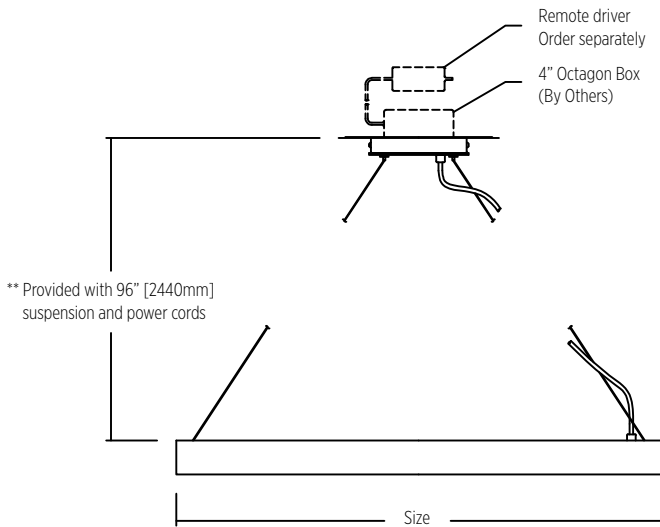


SPECIFICATION SHEET

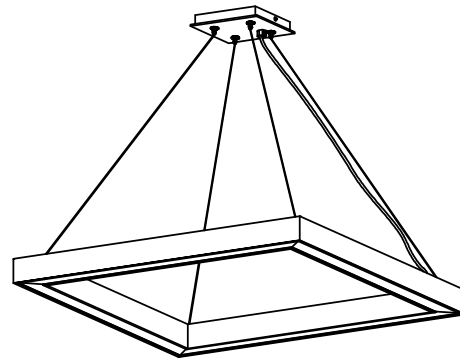
Frame 50



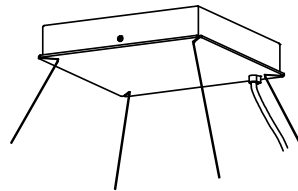
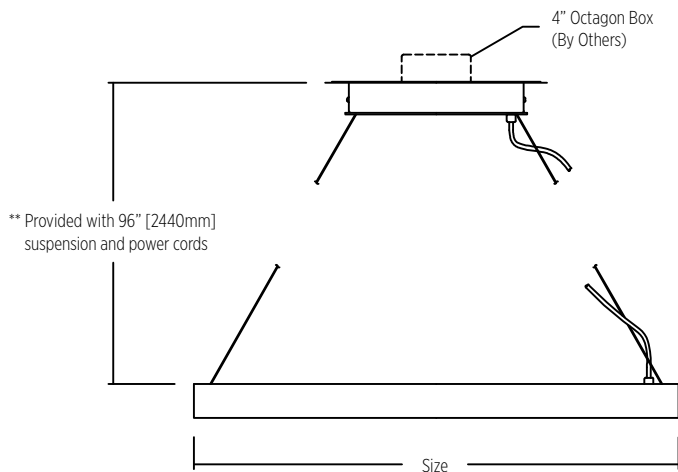
Center canopy with remote driver



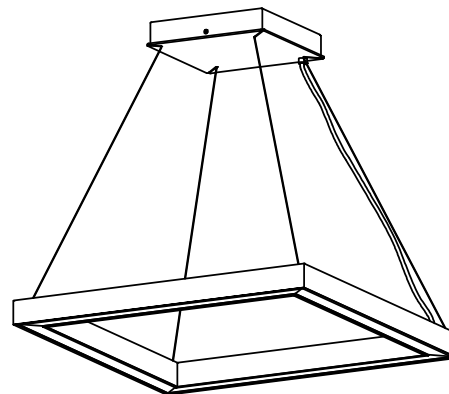
Center canopy
5.9" [150mm] Sq. x 0.9" [22mm] deep
 Fixture mounts directly to 4" octagon box - supplied and installed by others



Center canopy with integral driver



Center canopy with integral driver
10.5" [267mm] Sq. x 1.9" [49mm] deep
 Canopy mounts directly to the ceiling.
 Mounting hardware provided.
 Optional mounting holes for 4" octagon box - provided. 4" octagon box - supplied and installed by others



Minimum mounting height per fixture size for center canopy options:

Fixture Size (Diameter)	Minimum Mounting Height
26.0" [662mm]	15" [380mm]
37.9" [963mm]	20" [510mm]
49.7" [1262mm]	30" [760mm]

Frame 50

PENDANT

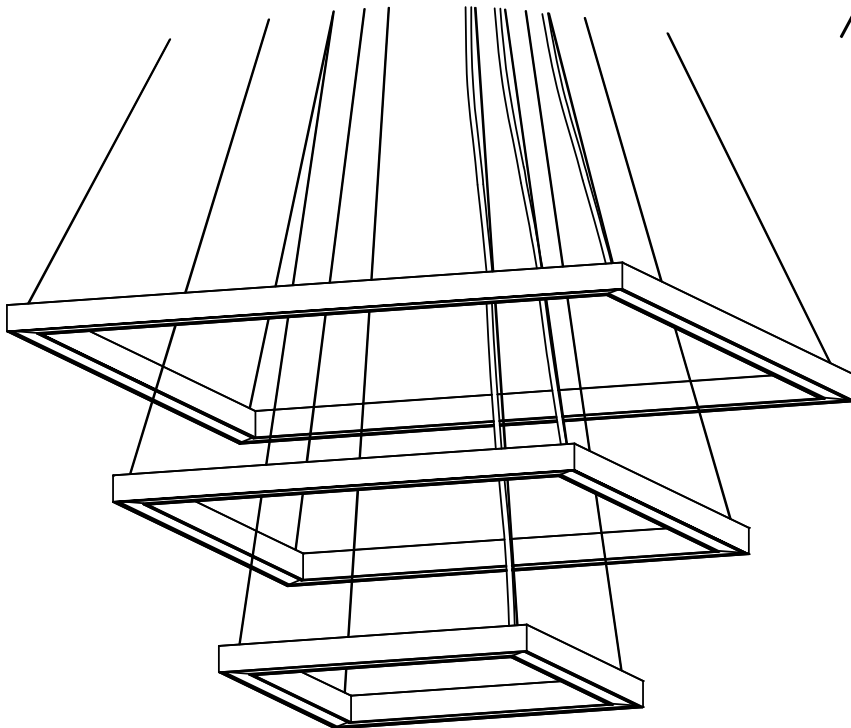


SPECIFICATION SHEET

Frame 50

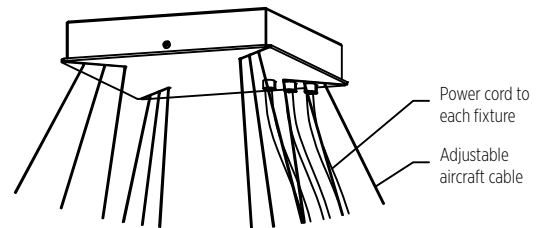


Multiple configuration



Multiple fixture cluster

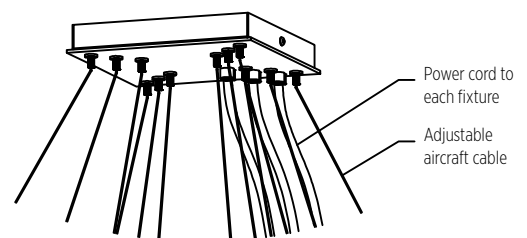
Please advise number of fixtures, size and suspension length for each fixture



Center canopy with integral driver 10.5" [267mm] Sq. x 1.9" [49mm] deep

Canopy mounts directly to the ceiling.
Mounting hardware provided.

Optional mounting holes for 4" octagon box - provided. 4" octagon box - supplied and installed by others.



Center canopy with remote driver 7.5" [190mm] Sq. x 1.1" [28mm] deep

Canopy mounts directly to the ceiling.
Mounting hardware provided.

Optional mounting holes for 4" octagon box - provided. 4" octagon box - supplied and installed by others.

Frame 50



PENDANT

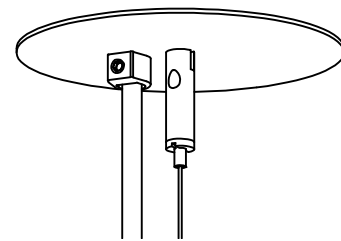
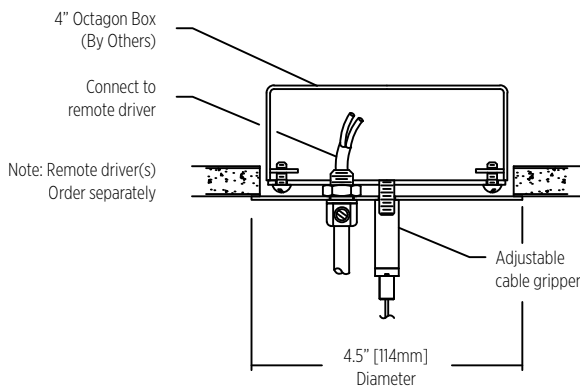
SPECIFICATION SHEET

Frame 50



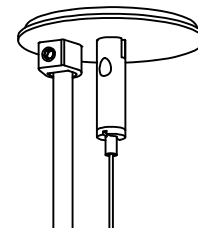
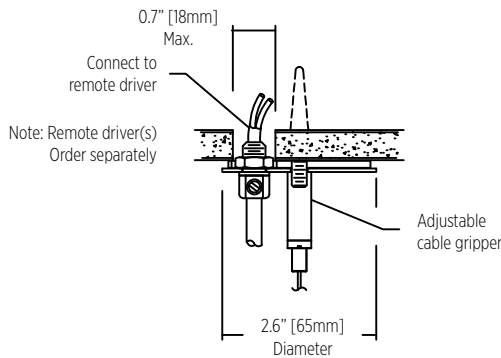
STRAIGHT CABLES MOUNTING OPTION - POWER

MOP-1A Standard - Supplied



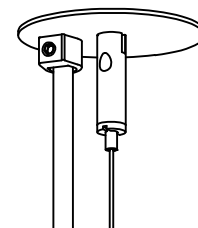
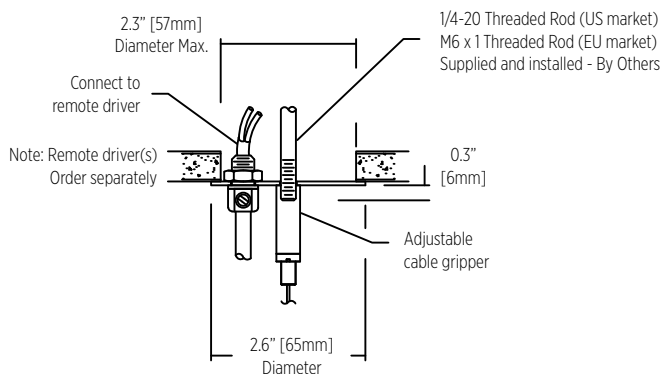
Mounting Option Power 1A
Octagon Box (By Others)
Installed in drywall, wood or concrete ceiling

MOP-2A-1 Order Separately



Mounting Option Power 2A-1
Suspension assembly
Installed in drywall or wood ceiling

MOP-2A-2 Order Separately



Mounting Option Power 2A-2
Suspension assembly
Installed in drywall or wood ceiling

Frame 50

PENDANT

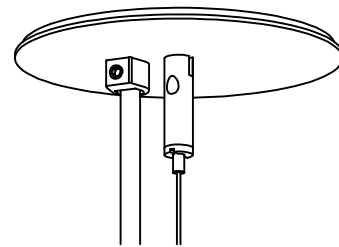
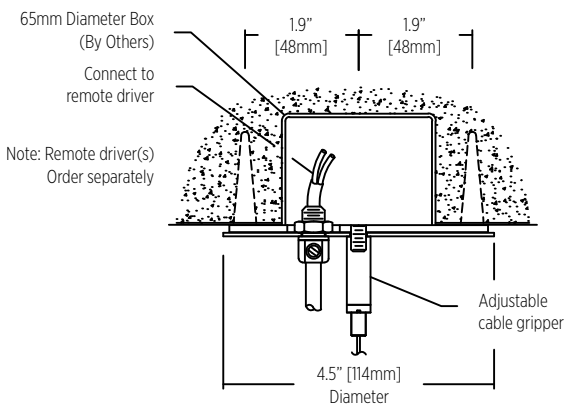


SPECIFICATION SHEET

Frame 50



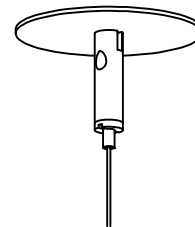
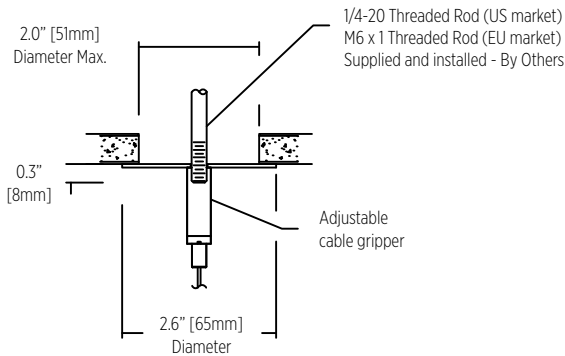
MOP-3A Order Separately



Mounting Option Power 3A
65mm Diameter Box (By Others)
Installed in drywall, wood or concrete ceiling

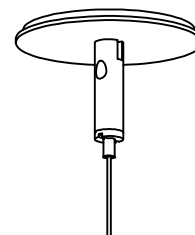
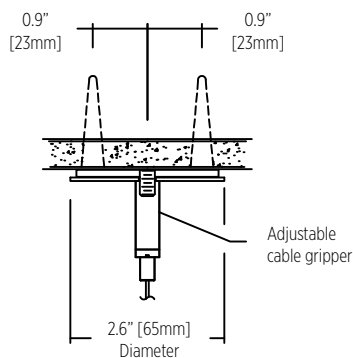
STRAIGHT CABLES MOUNTING OPTION - NON POWER

MONP-1A-1 Standard - Supplied



Mounting Option - Non Power
Threaded Rod installed
to structural ceiling (By Others)

MONP-1A-2 Alternative - Supplied



Mounting Option - Non Power
Suspension Assembly
Installed in drywall, wood or concrete ceiling